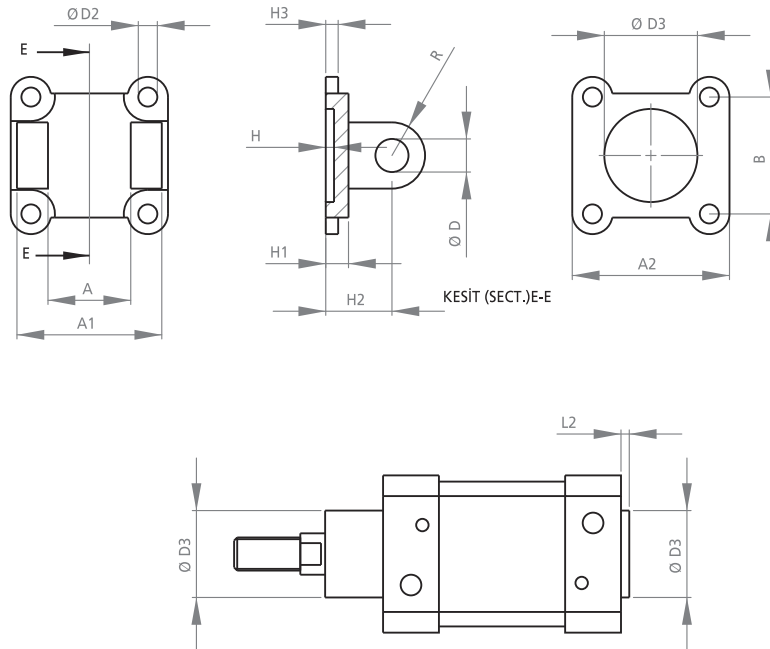
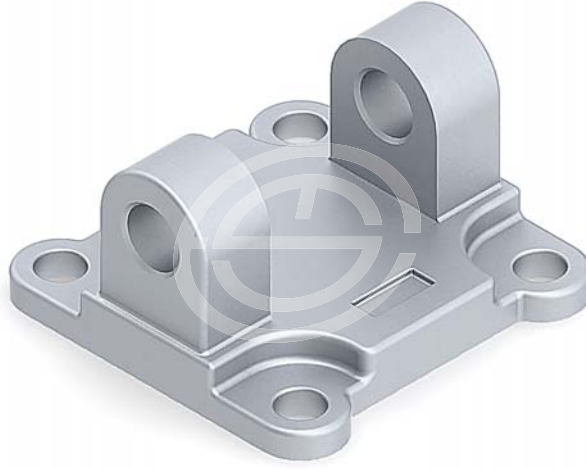




EKLEM BAĞLANTI

SWIVEL FLANGE

ISO



SİLİNDİR Q mm CYLINDER	A	A1	A2	B	D	D2	D3	H	H1	H2	H3	L2	METRİK METRIC	R
EB 32 I	26	45	45	32.5	10	7	30	5.5	10	22	6.5	4	M6	10
EB 40 I	28	52	54	38	12	7	35	5.5	10	25	7	4	M6	12
EB 50 I	32	60	65	46.5	12	9	40	6.5	11	27	5.5	4	M8	13
EB 63 I	40	70	76	56.5	16	9	45	6.5	11	32	6.5	4	M8	16
EB 80 I	50	90	94	72	16	11	45	7	14	36	7	5	M10	16
EB 100 I	60	110	112	89	20	11	55	7	14	41	7	6	M10	19
EB 125 I	70	130	134	110	25	13	60	11	20	50	10	7	M12	25
EB 160 I	90	170	186	140	30	17	65	11	20	55	15	8	M16	32
EB 200 I	90	170	220	175	30	17	75	14.5	25	60	20	8	M16	35